

Codec and Audio switching

The WM8731 is a budget Codec chip that has a pair of ADCs and DACs, sampling at 48 kHz, I2S and I2C interfaces to talk to the MCU and fair amount of built in audio circuitry. Extra switching between LINEIN and MIC inputs is done via 74HC4066 CMOS switch and MOSFET transistor.

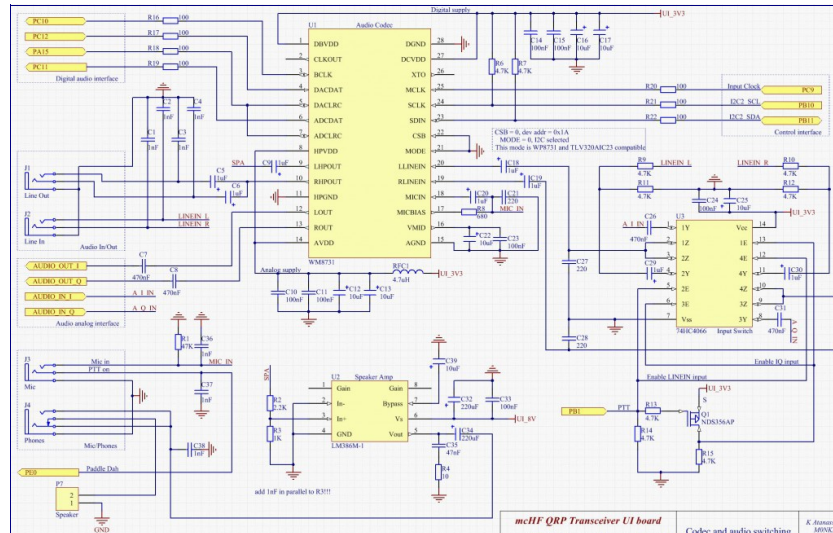


Fig1: Audio schematics(click for larger view)

The Codec accepts IQ audio signals from the RX Detector, and also generates the IQ audio for the TX Quad preamp. It also has microphone, LINE OUT and LINE IN for PC connection, as well as speaker amplifier (LM386) that could be connected to the internal mchF speaker or external one or headphones (J4).