

# Front Panel User Controls

This module includes the 2.8inch LCD, the 17 buttons, the four rotary encoders and two status LEDs.

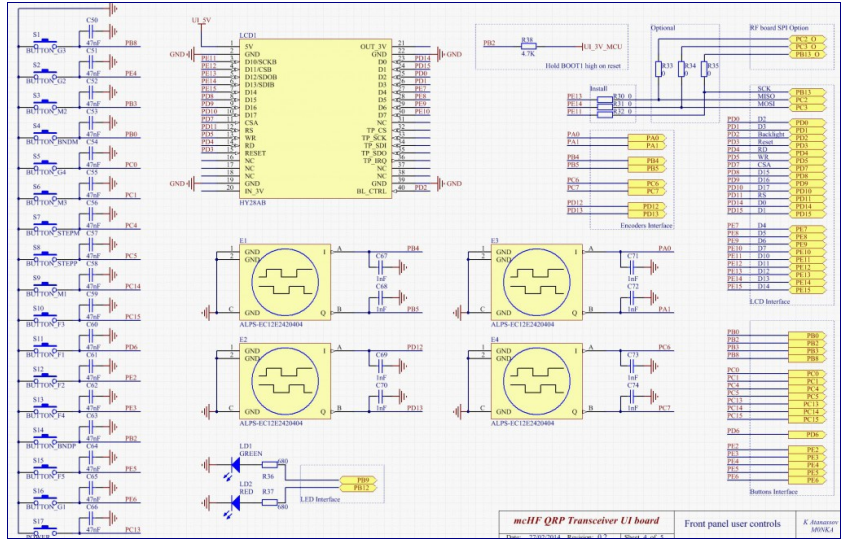


Fig1: Front Panel schematics(click for larger view)

The LCD is interfaced via SPI or 16bit parallel interface, while the buttons occupy GPIO each. The encoders generate quadrature signal and a built in Timer in the MCU is responsible for decoding their current state. Please note the green led is software controlled and indicates successful booting of the mcHF firmware, not voltage available on a power supply line!