

TX Mixer

The TX Mixer is a Quadrature Sampling Exciter, it uses SN74CBT3253 and four high quality 22nF capacitors for each leg of the switch. Those are 100V NPO type. The mixer works in balanced mode with off the shelf SMD transformer.

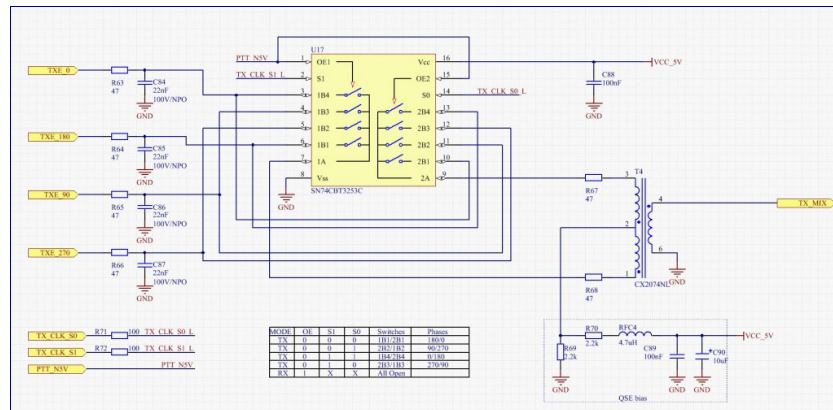


Fig1: TX Mixer schematics(click for larger view)

The mixer uses the four phase (0,90,180 and 270) audio feed from the tx quad preamp as input and generates RF drive that passed the BPFs first, before going to the final amp.